

StreetGlow®

STROBE CONTROL MODULE

WARRANTY INFORMATION

All StreetGlow products are covered by a comprehensive warranty.

StreetGlow neon products are warranted against defective materials and workmanship for as long as the original purchaser owns the product. StreetGlow Radio Bars and other non-neon products (excluding fog lights and driving lights, and Xenon white bulbs) are warranted against defective materials and workmanship for two years from date of purchase. Fog lights and driving lights, and Xenon white bulbs are warranted for one year from date of purchase. Any product that should fail for either defective materials or workmanship will be repaired or replaced, at StreetGlow's option, as the sole remedy of the buyer. Proof of purchase is required. All warranty claims are to be handled by selling agents. Accident, abuse, neglect, modifications, broken glass (with the exception of SG201 Undercar Kit), labor, transportation, improper installation and the use of products other than for their intended purposes are not covered. NEITHER SELLER NOR THE MANUFACTURER SHALL BE LIABLE FOR ANY INJURY, LOSS OR DAMAGE, DIRECT, INCIDENTAL OR CONSEQUENTIAL (INCLUDING, BUT NOT LIMITED TO INCIDENTAL OR CONSEQUENTIAL DAMAGES FOR LOST PROFITS, LOST SALES, INJURY TO PERSON OR PROPERTY OR ANY OTHER INCIDENTAL OR CONSEQUENTIAL LOSS), ARISING OUT OF THE USE OR THE INABILITY TO USE THE PRODUCT AND THE USER AGREES THAT NO OTHER REMEDY SHALL BE AVAILABLE TO IT. Before using, the user shall determine the suitability of the product for the intended use, and user assumes all risk and liability whatsoever in connection therewith. Some states and countries do not allow the exclusion or limitation of incidental or consequential damages, so the above limitations or exclusions may not apply to you. This warranty gives you specific legal rights and you may have other rights, which vary from state to state and from country to country. **DISCLAIMER: THE FOREGOING WARRANTY IS AN EXCLUSIVE WARRANTY IN LIEU OF ANY OTHER EXPRESS WARRANTIES. ANY IMPLIED WARRANTIES (INCLUDING, BUT NOT LIMITED TO ANY IMPLIED WARRANTY OF MERCHANTABILITY OR FITNESS FOR A PARTICULAR PURPOSE) TO THE EXTENT THAT IT COULD APPLY TO ANY OF THE PRODUCTS MANUFACTURED BY THE COMPANY SHALL BE LIMITED IN DURATION TO THE PERIODS OF THE EXPRESS WARRANTY GIVEN ABOVE.**

CONTENTS:

- 1- Digital Strobe Controller
 - 3- 8' strobe interface cables
 - 2- 12' strobe interface cables
- Installation Hardware with Instructions*

INSTRUCTIONS:

- 1) Using the installation hardware provided, mount the Digital Strobe Controller in the desired location.
- 2) Run control wires to the corresponding strobe locations, longer lengths (12') run to the rear of the vehicle, the shorter lengths (8') run to the front or the side of the vehicle. Run wires away from any moving parts (i.e. gearshift, steering wheel, etc.).
- 3) Connect the 5 control wires to the corresponding controller outputs (see Systemization Diagram).
- 4) Connect the strobe control wires to the strobe device's (ANSLV2, ANHLSV2) input.
- 5) Connect BLACK/WHITE strip wire to positive (+) 12v and connect BLACK wire to negative (-) ground.
- 6) Enjoy!

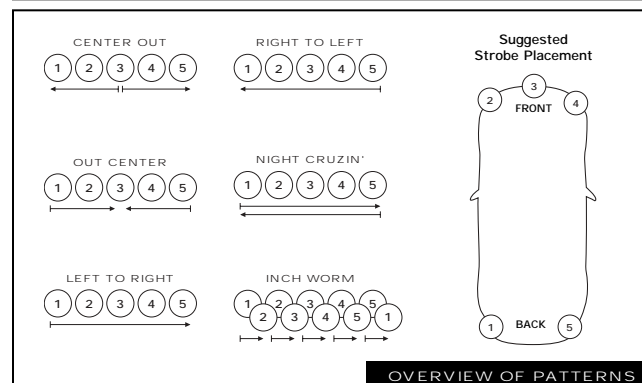
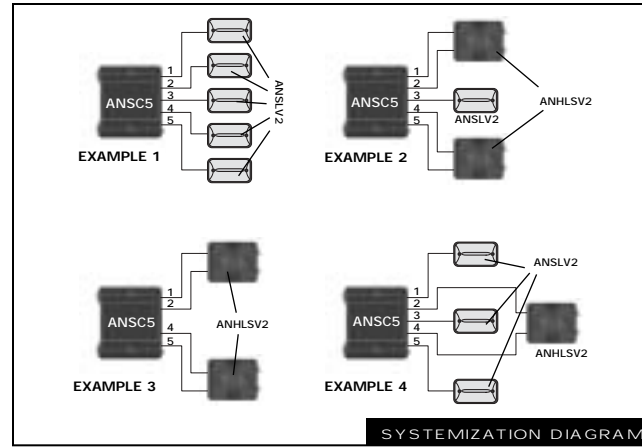
ANSC5 Strobe Controller is able to control up to 5 different devices simultaneously. The controllable strobe components are listed below:

- ANSLV2 – Xenon Strobe Light
- ANHLSV2 – Xenon Headlight Strobes

When using any combination of these newly designed products, the user is able to create up to 9 different light patterns (see Systemization Diagram for details).

PATTERN MODES:

- | | | |
|---------------|---------------|-----------|
| Center Out | Right to Left | All Flash |
| Out Center | Night Cruzin' | Random |
| Left to Right | Inch Worm | Demo |





StreetGlow[®]

STROBE CONTROL
MODULE

StreetGlow®

XENON HEADLIGHT STROBE KIT

WARRANTY INFORMATION

All StreetGlow products are covered by a comprehensive warranty.

StreetGlow neon products are warranted against defective materials and workmanship for as long as the original purchaser owns the product. StreetGlow Radio Bars and other non-neon products (excluding fog lights and driving lights, and Xenon white bulbs) are warranted against defective materials and workmanship for two years from date of purchase. Fog lights and driving lights, and Xenon white bulbs are warranted for one year from date of purchase. Any product that should fail for either defective materials or workmanship will be repaired or replaced, at StreetGlow's option, as the sole remedy of the buyer. Proof of purchase is required. All warranty claims are to be handled by selling agents. Accident, abuse, neglect, modifications, broken glass (with the exception of SG201 Undercar Kit), labor, transportation, improper installation and the use of products other than for their intended purposes are not covered. NEITHER SELLER NOR THE MANUFACTURER SHALL BE LIABLE FOR ANY INJURY, LOSS OR DAMAGE, DIRECT, INCIDENTAL OR CONSEQUENTIAL (INCLUDING, BUT NOT LIMITED TO INCIDENTAL OR CONSEQUENTIAL DAMAGES FOR LOST PROFITS, LOST SALES, INJURY TO PERSON OR PROPERTY OR ANY OTHER INCIDENTAL OR CONSEQUENTIAL LOSS), ARISING OUT OF THE USE OR THE INABILITY TO USE THE PRODUCT AND THE USER AGREES THAT NO OTHER REMEDY SHALL BE AVAILABLE TO IT. Before using, the user shall determine the suitability of the product for the intended use, and user assumes all risk and liability whatsoever in connection therewith. Some states and countries do not allow the exclusion or limitation of incidental or consequential damages, so the above limitations or exclusions may not apply to you. This warranty gives you specific legal rights and you may also have other rights, which vary from state to state and from country to country. **DISCLAIMER: THE FOREGOING WARRANTY IS AN EXCLUSIVE WARRANTY IN LIEU OF ANY OTHER EXPRESS WARRANTIES. ANY IMPLIED WARRANTIES (INCLUDING, BUT NOT LIMITED TO ANY IMPLIED WARRANTY OF MERCHANTABILITY OR FITNESS FOR A PARTICULAR PURPOSE) TO THE EXTENT THAT IT COULD APPLY TO ANY OF THE PRODUCTS MANUFACTURED BY THE COMPANY SHALL BE LIMITED IN DURATION TO THE PERIODS OF THE EXPRESS WARRANTY GIVEN ABOVE.**

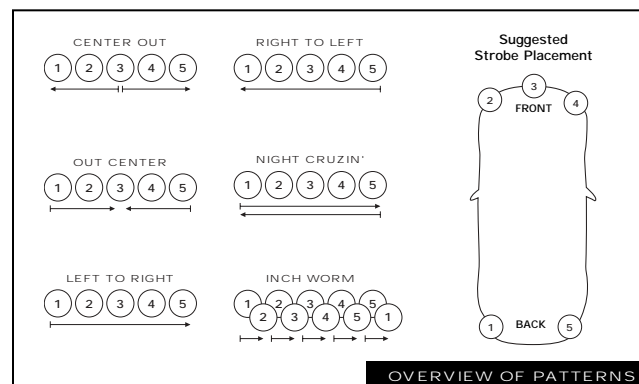
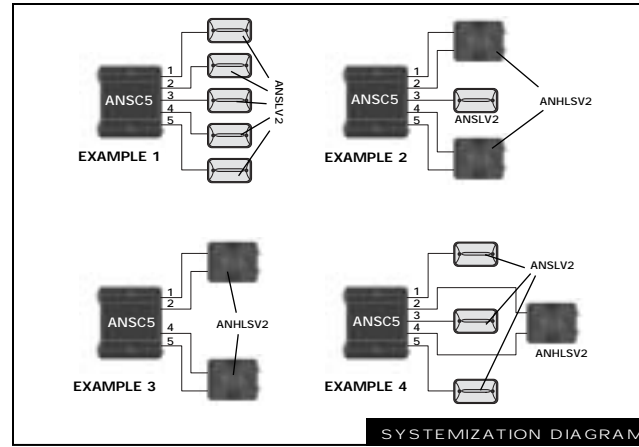
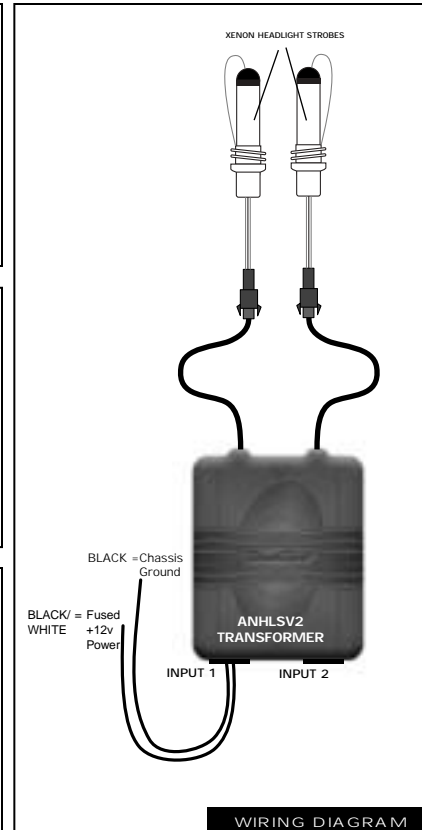
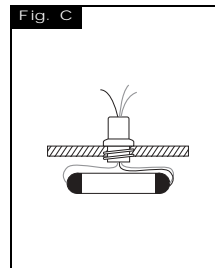
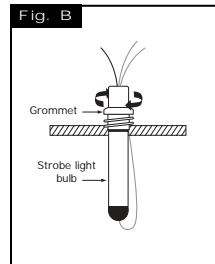
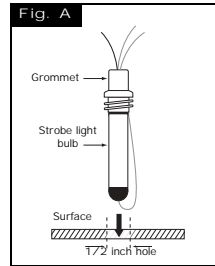
CONTENTS:

- 2- Xenon Headlight Strobes
- 1- Transformer with Dual Strobe Leads
- Installation Hardware with Instructions*

INSTRUCTIONS:

- 1) Mount strobe transformer in desired location using the installation hardware provided.
*Clean mounting surface free of dirt and oil deposits before mounting.
- 2) When installing headlight strobes, removal of the headlamp housing is recommended for easy installation. Locate the desired strobe placement in the headlamp housing and drill a 1/2" hole (Fig A). Insert bulb into hole (Fig. B). For areas of limited space, such as tail lights, marker lights, heating vents, and directional assemblies, suspend bulb within enclosure (Fig. C).
- 3) Connect strobes to transformer lead connectors and secure all wires.
- 4) Connect BLACK/WHITE strip wire to positive (+) 12v and BLACK wire to negative (-) ground
- 5) When using with ANSC5 Strobe Control Module, be sure to remove insert cap on Input 2. Connect strobe interface cable from Inputs 1 and 2 to corresponding outputs on strobe controller (see Systemization Diagram for additional strobe features).
- 6) Enjoy!

*For use with composite headlamps only!





StreetGlow[®]

XENON HEADLIGHT
STROBE KIT